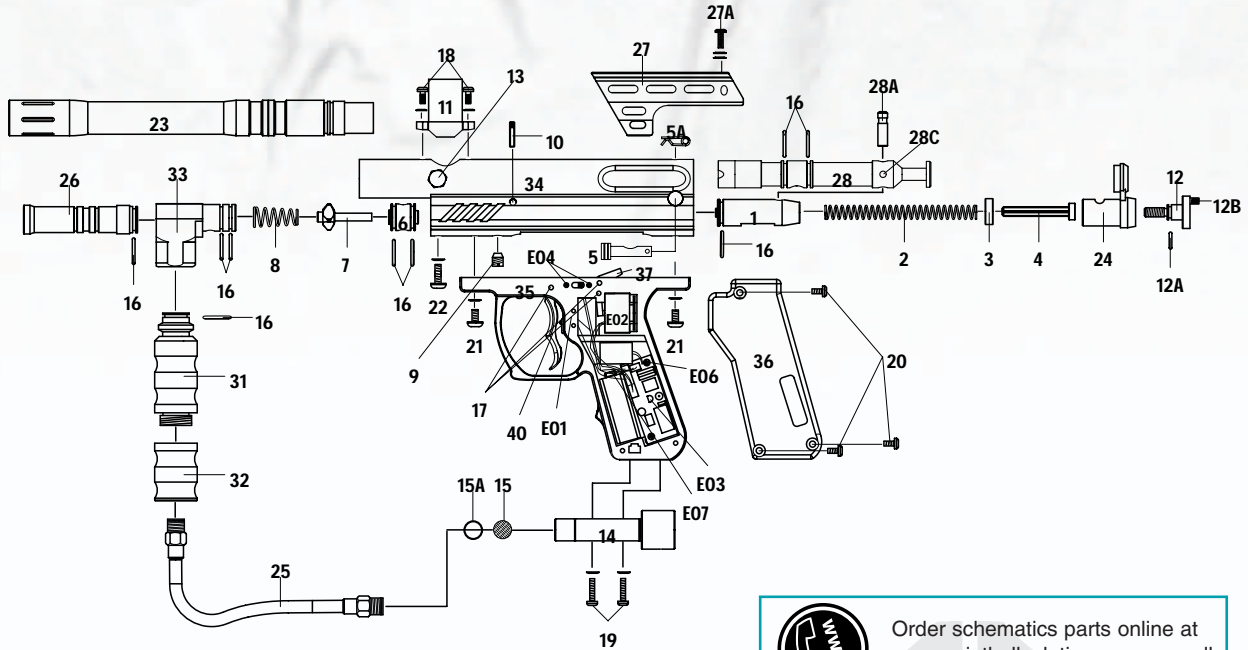


ICON LED

Icon LED Schematic

ICON LED

NPS PARTS



Order schematics parts online at www.paintballsolutions.com or call 1-800-220-3222

NPS EXCLUSIVE PARTS



ICON LED Parts List

- | | | | |
|------------------------|--------------------------|-----------------------------|---------------------|
| 1. Hammer | 12. Velocity Adjuster | 22. Vertical ASA Screw | 33. Vertical ASA |
| 2. Main Spring | B. Locking Set Screw | 23. Barrel | 34. Main Body |
| 3. Recoil Pad | 13. Metal Ball Detent | 24. Hammer Plug | 35. Grip Frame |
| 4. Spring Strut | 14. Tank Adapter | 25. Gas Line | 36. Grip Panels |
| 5. Quick Strip Pin | 15. Air Filter | 26. Low Pressure Chamber | 37. Electronic Sear |
| A. R-Clip | A. Air Filter O-Ring | 27. Sight Rail | *38. Sear Spring |
| 6. Gas Valve | 16. Multi-Use O-Ring | A. Sight Rail Screw | 40. Trigger |
| 7. Cupseal | 17. Grip Frame Pin Set | 28. Bolt | |
| 8. Valve Spring | 18. Vertical Feed Screws | A. Connecting Pin | |
| 9. Valve Gas Plug | 19. Bottomline Screws | C. Connecting Pin Set Screw | |
| 10. Valve Stop Pin | 20. Grip Panel Screws | 31. Expansion Chamber | |
| 11. Vertical Feed Neck | 21. Grip Frame Screws | 32. Gas-Thru | |

ELECTRONIC GRIP FRAME Parts List

- | | | |
|------------------------------------|---------------------------|--------------------------|
| E01. Wiring Harness/Trigger Switch | E04. ON/OFF Switch Screws | E06. Circuit Board Screw |
| E02. Solenoid | *E05. Solenoid Set Screws | E07. Battery Lead |
| E03. Circuit Board | | |



*Not Shown In Schematic.