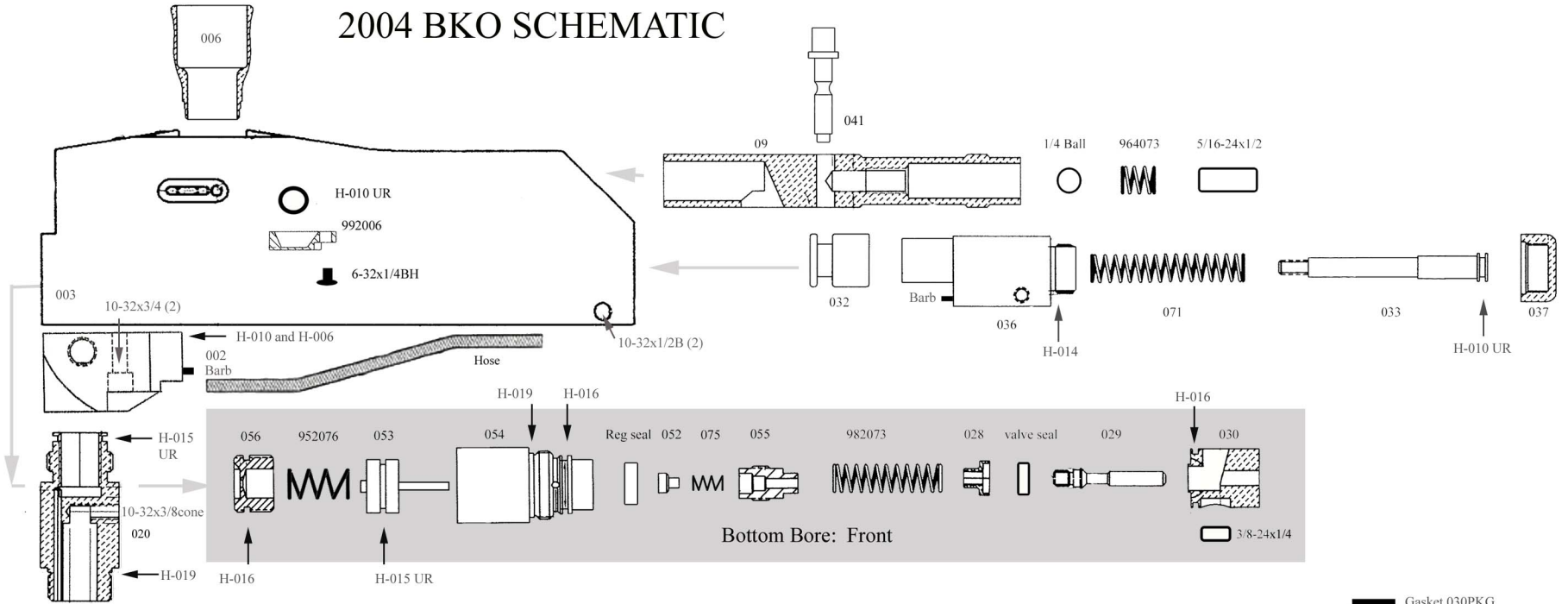
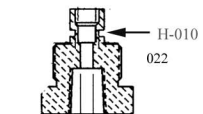
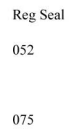
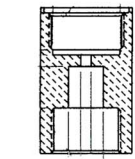
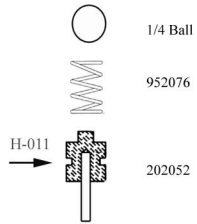


# 2004 BKO SCHEMATIC

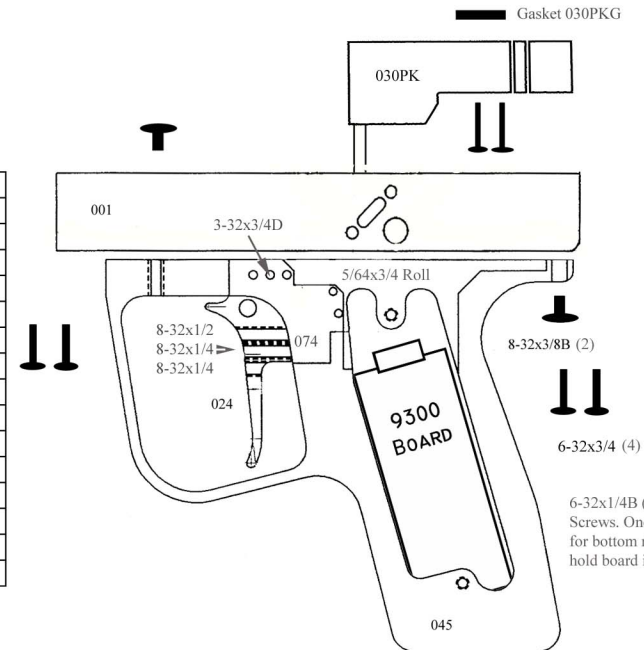


Bottom Bore: Front



|          |                      |
|----------|----------------------|
| 202001   | Lower Receiver/Tray  |
| 204002   | Regulator Mount      |
| 204003   | Upper Receiver       |
| 982006   | Feed Tube            |
| 982009   | Bolt                 |
| 202020   | HP Reg Upper Body    |
| 202021   | HP Reg Middle Body   |
| 202022   | HP Reg Cup Housing   |
| 982028   | Valve Cup            |
| 982029   | Valve Pin            |
| 982030   | Valve Seat           |
| 202030PK | 3-way Solenoid Valve |
| 982032   | Hammer               |
| 202033   | Cylinder Piston      |
| 202036   | Cylinder Main Body   |
| 202037   | Cylinder End Cap     |

|        |                         |
|--------|-------------------------|
| 982041 | Link Pin                |
| 982052 | Reg Cup                 |
| 202052 | HP Regulator Piston     |
| 982053 | LP Reg Piston           |
| 982054 | LP Reg Body             |
| 982055 | LP Reg Cup Housing      |
| 982056 | LP Reg Adjustment Screw |
| 992006 | Ball Detent Housing     |
| 993024 | Trigger                 |
| 993045 | Grip Frame              |
| 202071 | Cylinder Main Spring    |
| 982073 | Valve Spring            |
| 935075 | Reg Cup Spring          |
| 952076 | Reg Main Spring         |
| 964073 | Bolt Retention Spring   |
| 993074 | Trigger Spring          |



6-32x1/4B (3) Grip panel Screws. One 6-32x3/8B for bottom right corner to hold board in place.