



KAOS PUMP

OWNERS MANUAL

CONTENTS

SAFETY INSTRUCTION AND GUIDELINES	P. 1-4
GETTING STARTED	P. 5-6
VELOCITY ADJUSTMENT	P. 7
ASSEMBLY AND CLEANING THE MARKER	P. 8-9
REASSEMBLE REAR INTERNALS	P. 10
CLEANING AND DISASSEMBLE KAOS PUMP KIT	P. 11
TROUBLESHOOTING	P. 12
KP SCREW CHART	P. 13
KP O-RING CHART	P. 14
KP PARTS LIST	P. 15
KP EXPLODED VIEW	P. 16

! WARNING !

IMPORTANT SAFETY INSTRUCTION AND GUIDELINES

- This Paintball Marker is NOT A TOY. Misuse can cause serious injury or death.
- Recommend 18 years or older to purchase this product. Person under 18 must have adult supervision.
- Read this manual, understand and follow the manual instructions for using this product.
- Eye and face protection specially designed for paintball use, must be worn by user and persons within range at all times.
- Treat all paintball markers as if it were loaded and able to fire.
- Never look down the barrel or breech area of a marker.
- Always use barrel blocking device when the marker is not in use.
- Always chronograph this marker before playing paintball.
- Never shoot any marker at velocities exceeds 300 FPS (Feet Per Second), or velocities which is greater than local fields or national laws allow.
- Always chronograph the marker before playing.

! WARNING !

IMPORTANT SAFETY INSTRUCTION AND GUIDELINES

- Ensure all air lines and fittings are tightened and secured before installing the air tanks.
- Do not shoot at people, animals, houses, cars or anything is not related to the sport of paintball. [®]
- Always keep the marker in Safe mode until ready for use.
- Fire only 0.68 caliber paintballs with this marker.
- Always make sure the bolt is in the un-cocked position when marker is not in use.
- Any modifications or tampering of original factory parts will cause all warranties and liabilities from Azodin Paintball.
- This owner's manual should always accompany this marker for reference and in the event of resale and new ownership.

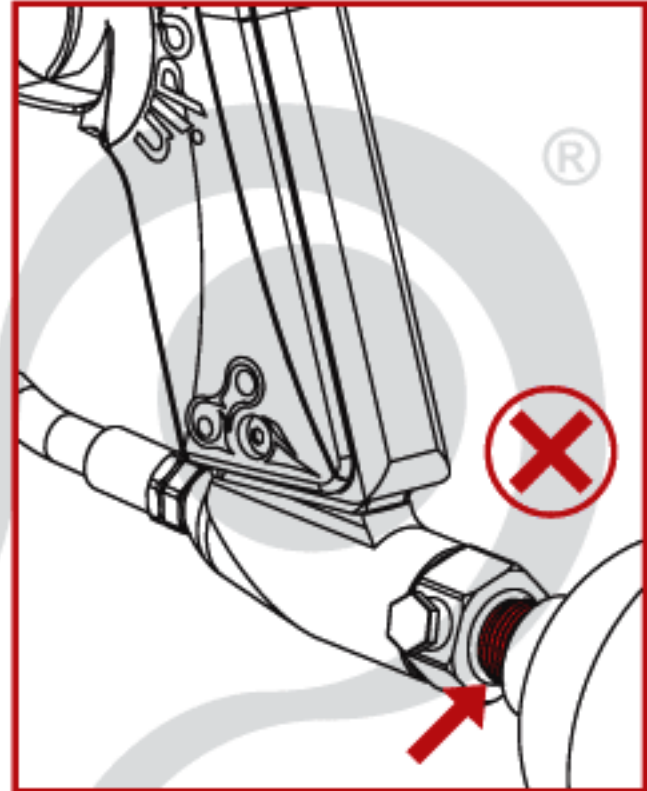
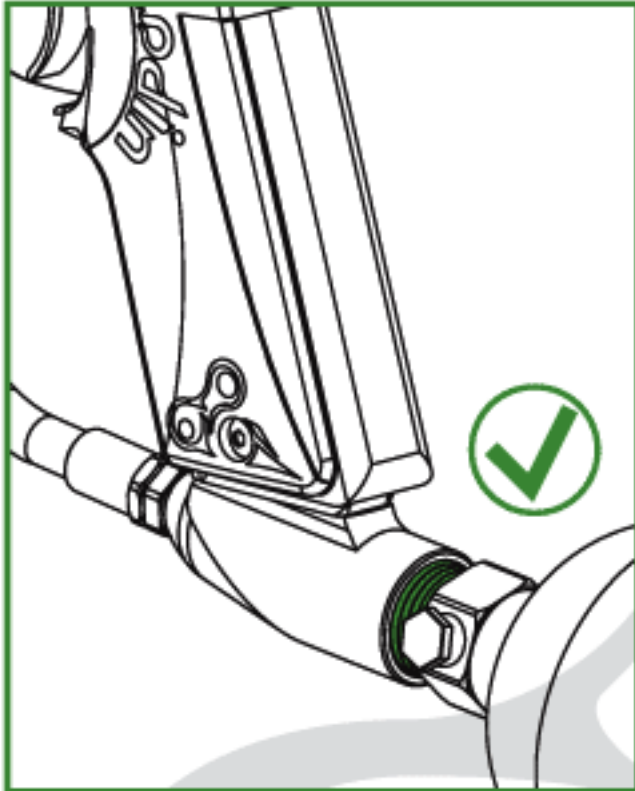
! WARNING !

IMPORTANT CO2/ HPA AIR TANK SAFETY INSTRUCTION AND GUIDELINES

- Tank valves must be installed or removed by qualified personnel.
- All tanks must be retested before the expiration date. [®]
- Improper use, filling, storage of this air tank may cause death, serious injury and property damage.
- Air tanks must be filled only by properly trained personnel.
- Do not over pressurize. Do not expose pressurized tanks to temperatures in excess of 130F° degrees (54°C).
- Do not expose tanks to corrosive materials and do not clean with caustic cleaners.
- Do not alter tanks in any way.
- Tanks heated up to a temperature of 250F° degrees (54°C) or more must be condemned or re-qualified.
- Keep air tanks out of reach of children.
- The valve should NEVER detach from the tank canister. Should this occur, seek assistance from a qualified airsmith immediately.
- Air tanks are use for the sport of paintball only.

! WARNING !

IMPORTANT CO2/ HPA AIR TANK SAFETY INSTRUCTION AND GUIDELINES



STOP IMMEDIATELY

CO2 or HPA/ N2 Air tanks will have enough force to fly off and cause serious injury or death if the valve unscrews from the tank head.

Look at the valve when removing the tank from the marker's **Bottom ASA (A021)**. Make sure that the valve is turning with the tank instead of staying with the marker.


STOP IMMEDIATELY if valve starts to unscrew from the tank itself. Screw the tank back onto the marker's Bottom ASA adapter and contact a qualified airsmith for further assistance.

GETTING STARTED

1. First, place the BARREL BLOCKING DEVICE over the barrel.
2. Always point your marker at a "SAFE" direction before use. To use, push the safety button from the "PUSH SAFE" side of the grip frame. Doing this will put the marker in a lock safe mode. To unlock the safe mode, point the marker in the safe direction, and push the safety button towards the "PUSH SAFE" side of the grip frame.
3. Firmly screw in the CO2/ HPA/ N2 air tank to the **bottom ASA (A021)**. Tighten the air tank clockwise all the way in the marker's bottom ASA.
CAUTION: Never use any hand tool to screw air tank to the bottom ASA.
4. Attach a paintball hopper/ loader to the marker's feed neck.
5. Remove the barrel blocking device and unlock the safe mode.
CAUTION: Now the marker is LIVE, pulling the trigger will fire a paintball. Only test your marker at the safe direction or in a proper organized paintball field.
6. Check marker's velocity FPS (Feet Per Second). Turning the **Velocity Adjuster (P023)** clockwise will increase the velocity. Counterclockwise will decrease the velocity.

7. After playing, take out all paintballs from the hopper. Then detach the hopper from the marker.

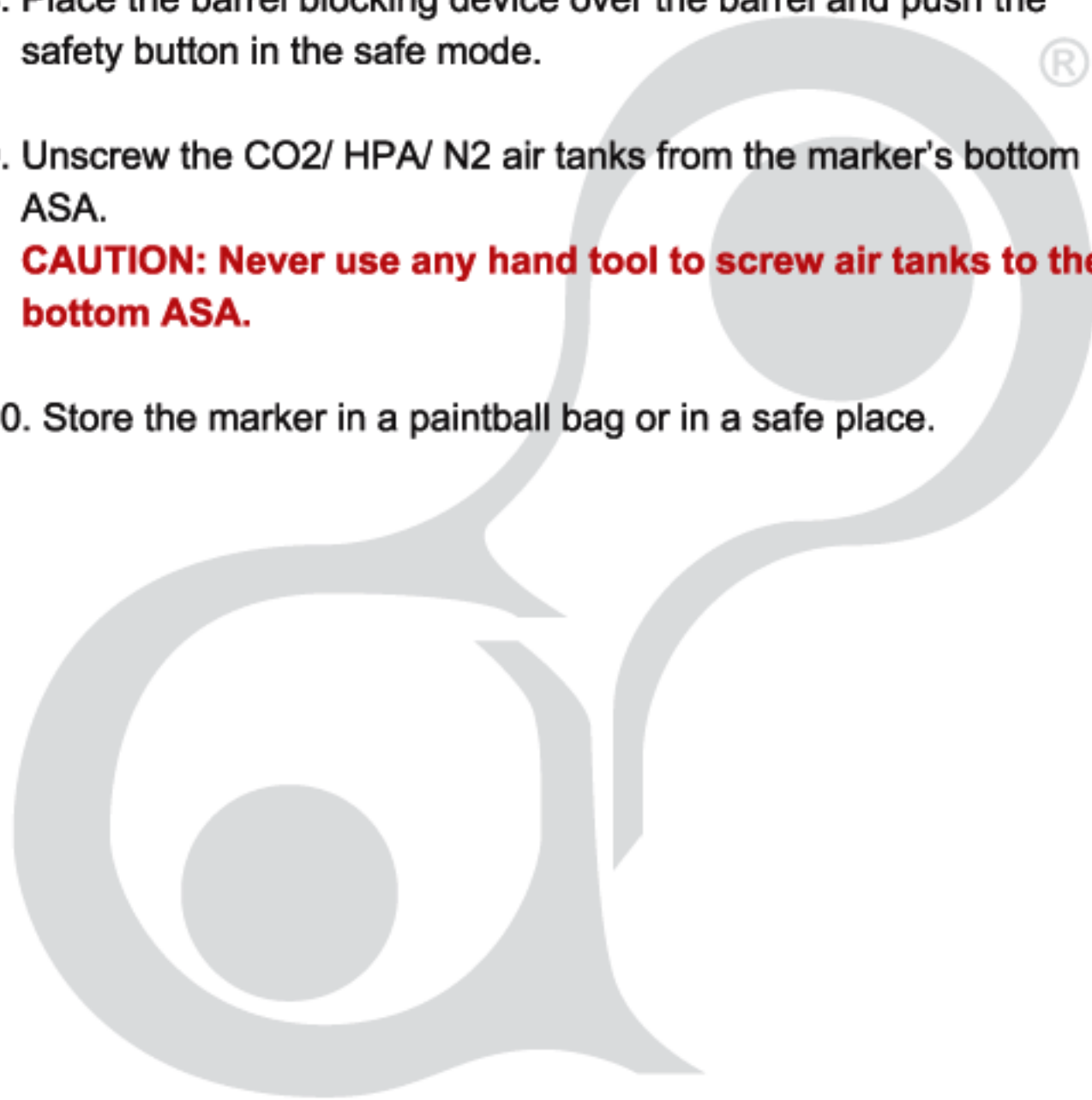
CAUTION: There may be 1-2 paintballs in the breach area; take a couple more shots in a safe direction to make sure the marker is empty of paintballs.

8. Place the barrel blocking device over the barrel and push the safety button in the safe mode. 

9. Unscrew the CO2/ HPA/ N2 air tanks from the marker's bottom ASA.

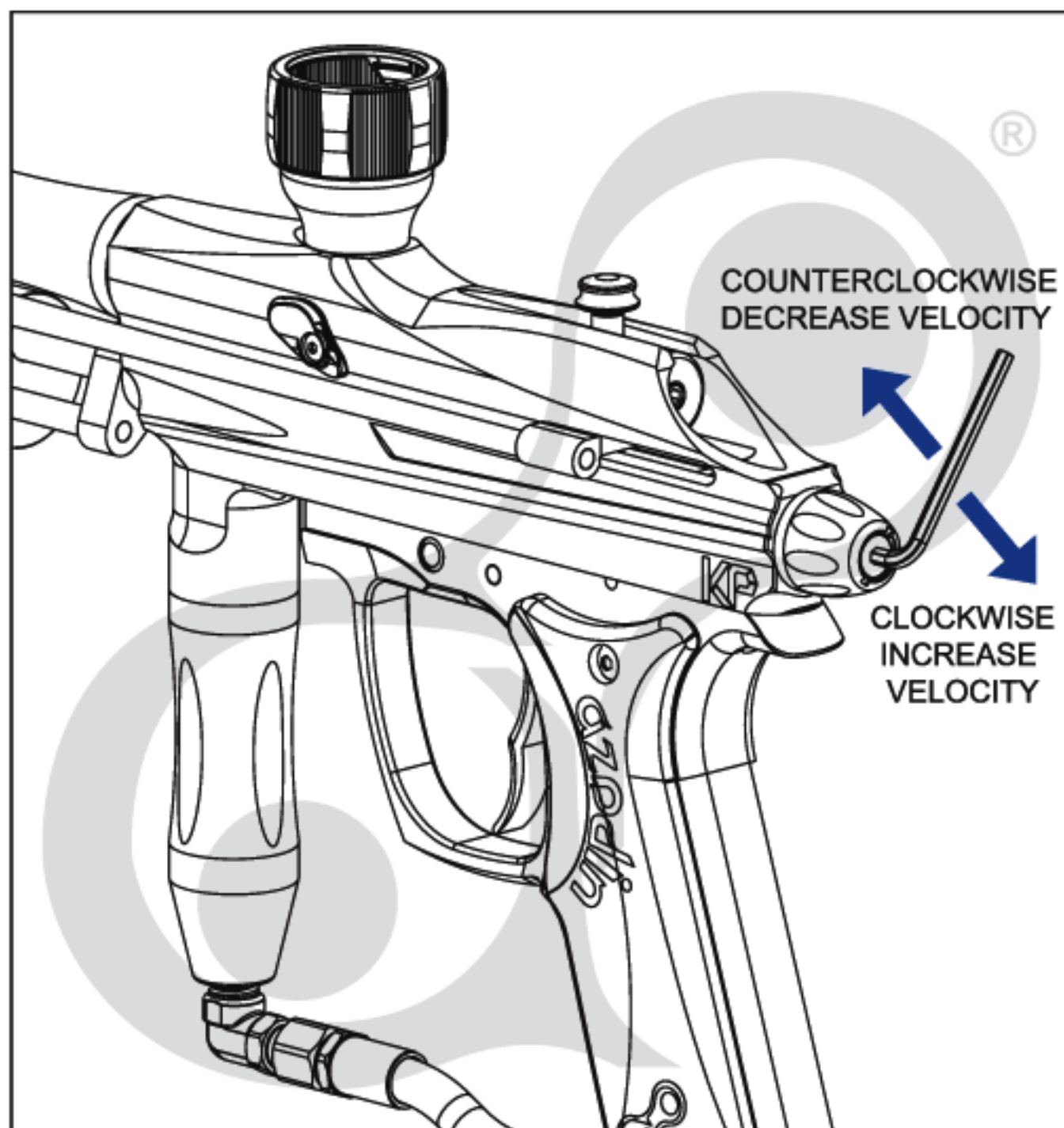
CAUTION: Never use any hand tool to screw air tanks to the bottom ASA.

10. Store the marker in a paintball bag or in a safe place.



VELOCITY ADJUSTMENTS

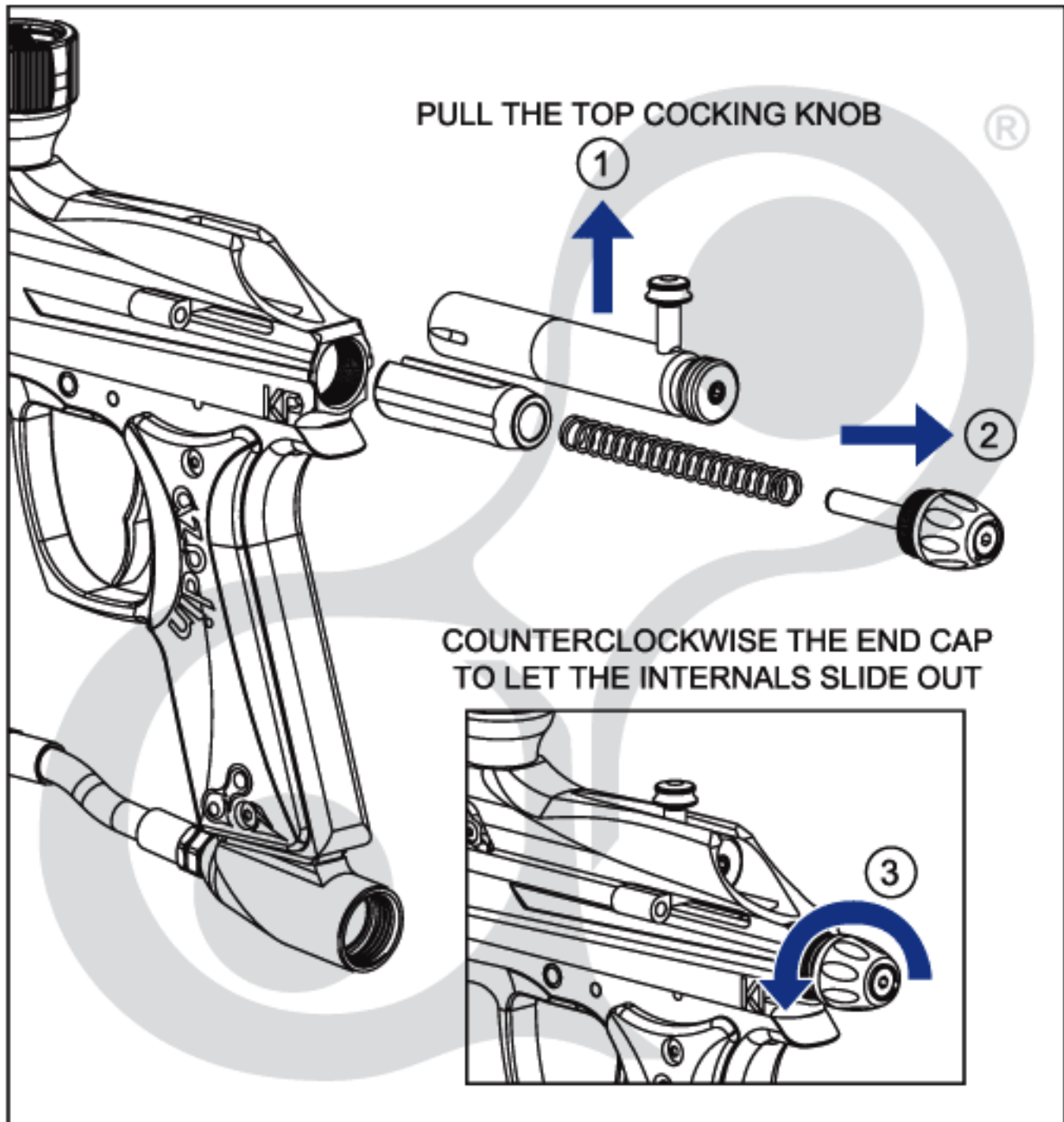
(INCREASE & DECREASE)



To increase your velocity FPS (Feet Per Second), use the allen wrench to turn the [Velocity adjuster \(P023\)](#) clockwise.

To decrease your velocity FPS (Feet Per Second), use the allen wrench to turn the Velocity adjuster counterclockwise.

ASSEMBLY AND CLEANING



WARNING: Never remove the internals of the marker while the air tank is attached with the marker. Always remove all paintballs, loader and air tank before disassembling the marker.

CLEANING AND DISASSEMBLE REAR INTERNALS

1. Lift upward on the Top Cocking Knob at the rear of Delrin Bolt. This will let the **KP Bolt Assembly (PP041)** slide out from the rear of the receiver.
2. Turn the **End Cap (A051)** counterclockwise. This will let the End Cap and the marker's internals to slide out from the rear of the receiver. Remember to place the marker in the de-cock[®] position and place light pressure behind the End Cap during the removal of the End Cap, this way will prevent the internals to spring out.
3. Slide the **KP Striker (PP021)** out of the rear of the receiver.
4. Once all the internal parts are removed, use a squeegee to clean the inside of the receiver and use a towel to clean the dirt or paint off Delrin bolt. Apply 1-2 drops of paintball gun oil at the side of the Striker regularly.

REASSEMBLE REAR INTERNALS

1. Insert the **KP Striker (PP021)** thru the rear of the receiver with the tip facing towards the front of the marker and with the hole on the KP Striker facing upright. While inserting the KP Striker, apply pressure behind the KP Striker and at the same time pull the Trigger to let KP Striker enter the receiver.
2. Insert the **KP Bolt Assembly (PP041)** thru the rear of the receiver. Press downward on the Top Cocking Knob (At the rear of KP Bolt Assembly) to connect with the **KP Coupler (PP006)**. Make sure the KP Striker is align to the KP Bolt Assembly.
3. Insert the **Zero Feather Spring (P025)** thru the receiver.
4. Insert the **End Cap (A051)** with the **Velocity Adjuster (P023)** Thru the Zero Feather Spring.
5. Turn the End Cap clockwise to tighten it and hold the internals in place.

CLEANING AND DISASSEMBLE KAOS PUMP KIT

1. Unscrew the **KP Screw (S031)** on the **KP Handle (AP001)**. This will let the KP Handle slide out from the **KP Stabilizing Rod (PP004)**.
2. Remove the KP Handle, use a towel to clean the dirt or paint of KP Stabilizing Rod. Apply 1-2 drops of paintball gun oil at both of the **AZ O-Ring (R013)**.

REASSEMBLE KAOS PUMP KIT

1. Install the KP Handle onto KP Stabilizing Rod and KP Arm.
2. Screw the KP Screw back into the KP Handle to fasten it.

TROUBLESHOOTING

WARNING: Always remove all paintballs, loader and air tank before disassembling the marker.

COCKING ISSUES

Need Lubrication on the [KP Striker \(PP021\)](#).

Need Lubrication on the [AZ O-Ring \(R013\)](#) at the [KP Stabilizing Rod \(PP004\)](#).

Dirt or broken paintball shell fragments in the receiver. Check, cleaning, and disassemble rear internals and KP Kit.

AIR LEAKS

Air leaking from the low pressure chamber. Check [AZ O-Ring \(R015\)](#), replace or need to be oiled.








Air leaking from under the barrel is normally caused by worn or damaged [Cup Seal \(R013\)](#). Check the guide for removal of Cup Seal / Valve Body.







A scratch on the Valve Body will cause air leak.

Air leaking from the receiver and throughout the Grip frame. Check Valve O-Rings and replace.

Air Leaking at opposite end of hose fittings:

The Female end of the hose should have a [Plastic Seal Washer \(P062\)](#) installed inside the hose collar and be sure to tighten it properly.

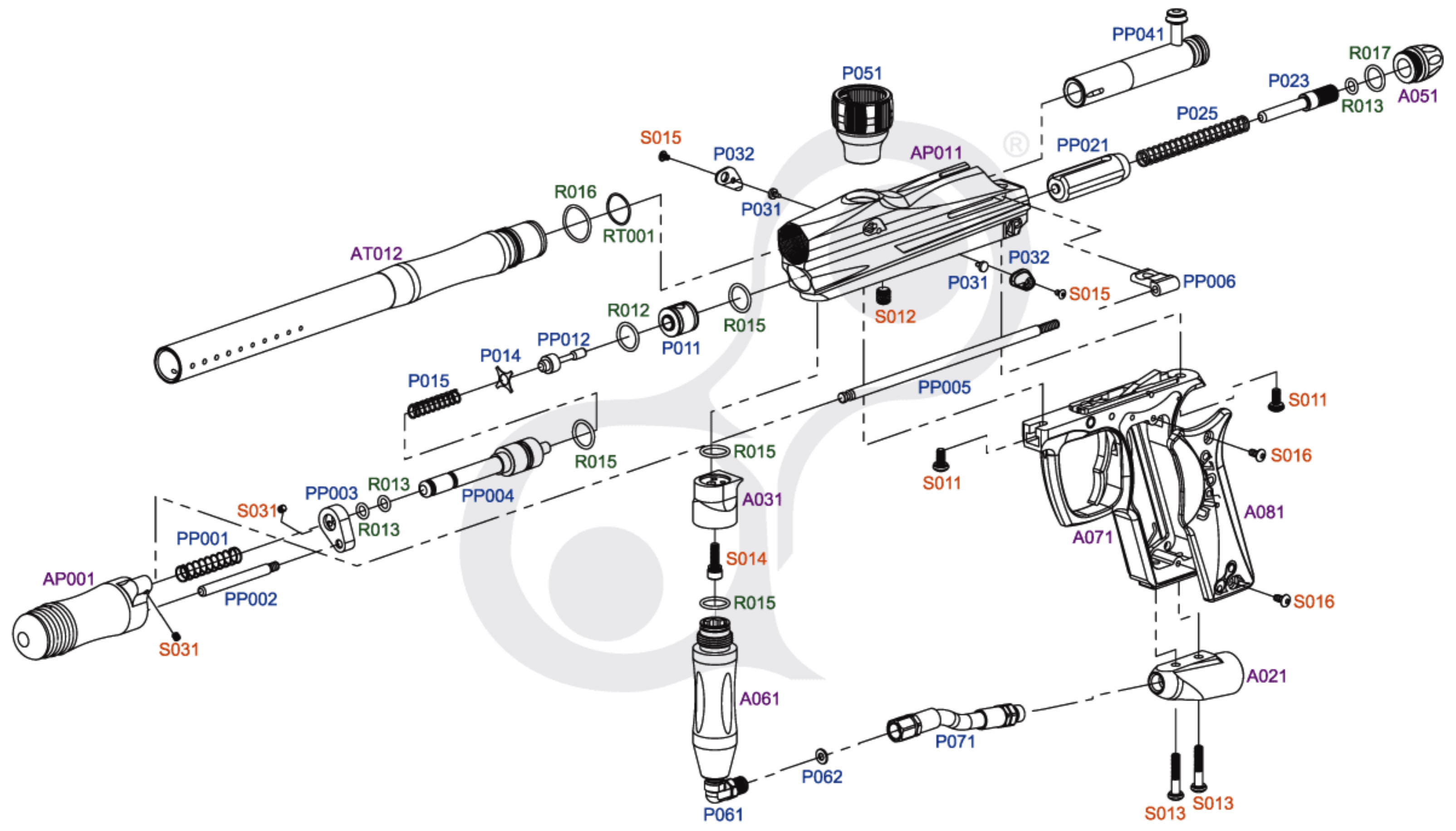
KP SCREW CHART SIZE: 1:1	PART NUMBER AND NAME
	<p>S011 M5 X 10L MAIN BODY SCREW</p>
	<p>S012 M8 X 8L[®] VALVE RETAINING SCREW</p>
	<p>S013 M5 X 25L BOTTOM ASA SCREW</p>
	<p>S014 M5 X 16L VERTICAL ASA SCREW</p>
	<p>S015 M3 X 3L DETENT COVER SCREW</p>
	<p>S016 M4 X 8L GRIP PANEL SCREW</p>
	<p>S031 M4 X 4 KP SCREW</p>

KP O-RING CHART SIZE: 1:1	PART NUMBER AND NAME
	R012 FRONT VALVE O-RING (CLEAR)
	R013 AZ O-RING (BLACK)
	R015 AZ O-RING (BLACK)
	R016 BARREL O-RING (BLACK)
	R017 END CAP O-RING (BLACK)
	RT001 TRIAD O-RING (BLACK)

KP PARTS LIST

NO	PART NAME	NO	PART NAME
P011	VALVE	R017	END CAP O-RING
P012	KP CUP SEAL STEM	RT001	TRIAD O-RING
P013	CUP SEAL		
P014	CUP SEAL GUIDE	S011	MAIN BODY SCREW
P015	VALVE SPRING	S012	VALVE RETAINING® SCREW
P023	VELOCITY ADJUSTER	S013	BOTTOM ASA SCREW
P025	ZeRO FEATHER SPRING	S014	VERTICAL ASA SCREW
P031	BALL DETENT	S015	DETENT COVER SCREW
P032	DETENT COVER	S016	GRIP PANEL SCREW
P051	TWIST LOCK FEEDNECK	S031	KP SCREW
P061	90 DEGREE ELBOW	A021	BOTTOM ASA
P062	SEAL WASHER	A031	VERTICAL ASA
P071	BRAIDED HOSE	A061	GAS-THRU FOREGRIP
PP001	KP RETURN SPRING	A051	END CAP
PP002	KP GUIDING ROD	A071	GRIP FRAME ASSEMBLY
PP003	KP STABILIZER	A081	GRIP PANEL ASSEMBLY
PP004	KP STABILIZING ROD	AP001	KP HANDLE
PP005	KP ARM	AP011	KP BODY
PP006	KP COUPLER	AT012	TRIAD 12" BARREL
PP012	KP CUP SEAL STEM		
PP021	KP STRIKER		
PP025	ZeRO FEATHER SPRING		
PP041	KP BOLT ASSEMBLY		
R012	FRONT VALVE O-RING		
R013	AZ O-RING		
R015	AZ O-RING		
R016	BARREL O-RING		

KAOS PUMP EXPLODED VIEW



www.azodin.com



beyond limitation®

Azodin LLC
2405-A Linn Ave. South El Monte, CA 91733, USA
TEL: 626-350-7000 FAX: 626-350-7001